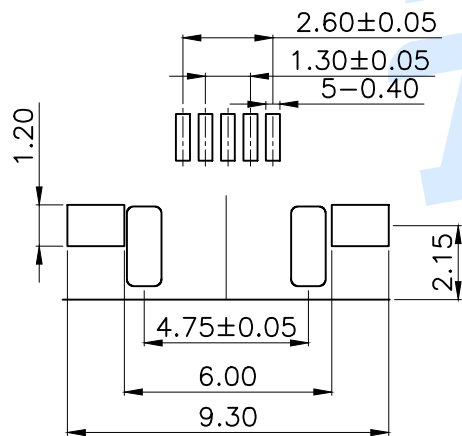
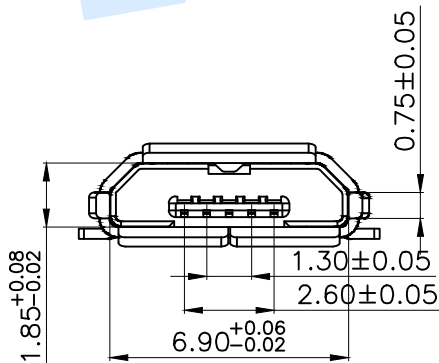
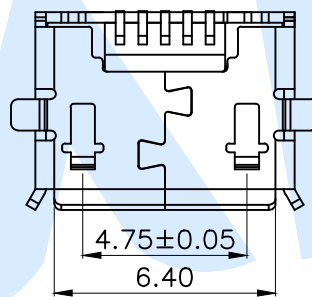
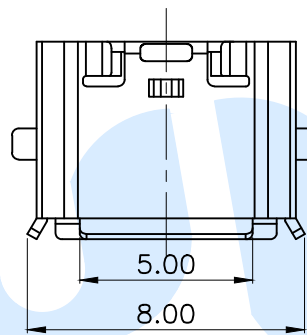
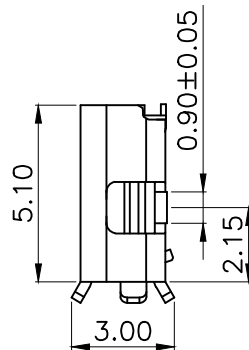
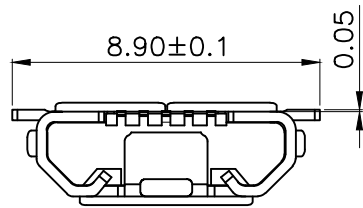


RoHS



Recommended P.C.B Layout

规格说明:Specifications

电气特性:Electrical

- 1.额定电流:Current Rating
1.0A/contact terminal
- 2.额定电压:Voltage Rating
30V DC
- 3.接触阻抗>Contact Resistance
50 milliohms Max
- 4.耐电压:Dielectnic Withstanding Voitage
AC 100V/1MINUTE.
- 5.绝缘阻抗:Insulation Resistance
100MEGA Ohms Min

物理性能:Mechanical

- 1.插拔力:Connector Mate and Unmate Force
Insertion force:3.57kgf(MAX)
Extraction force:1.02kgf(Min).0.81~2.05kgf(Min).
- 端子保持力:Terminal Retention
0.5kgf(MIN)

◎	Terminal		5	Copper alloy	Au Plating
◎	Shee		1	Copper alloy	Ag Plating
◎	Base		1	LCP	Black
NO.	Name	Number	Qty	Materil	Remarks

YUANDI® Yuandi Electronics Co, Ltd
元迪

design	date	name	USB CONNECTOR
Review	date	model	MICRO-26-P1-A2T2
Approved	date		

modify	Review	Approved	Tolerance not specified	Proportion	1:1	unit	mm	gape number	A4
--------	--------	----------	-------------------------	------------	-----	------	----	-------------	----

angle	±2'
10~30	±0.30
5~10	±0.20
~ 5	±0.10