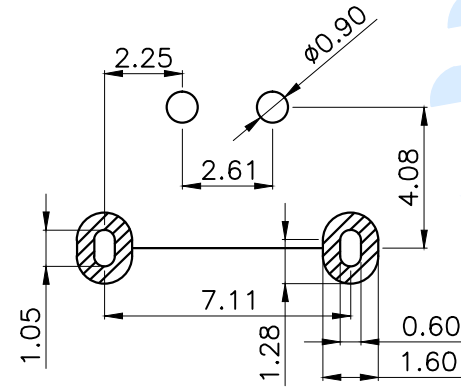
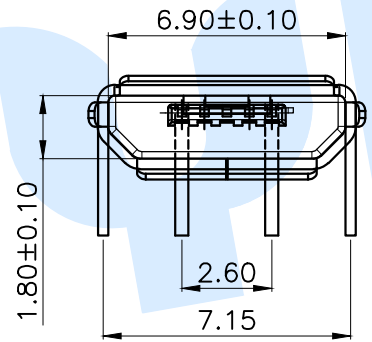
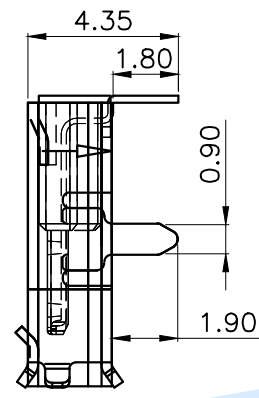
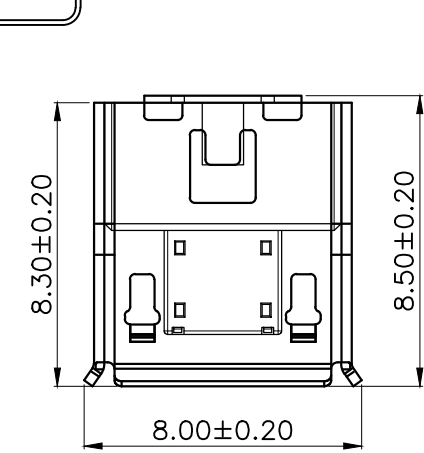


RoHS



Recommended P.C.B Layout

规格说明: Specifications

电气特性: Electrical

1. 额定电流: Current Rating  
1.0A/contact terminal
  2. 额定电压: Voltage Rating  
30V DC
  3. 接触阻抗: Contact Resistance  
50 milliohms Max
  4. 耐电压: Dielectric Withstanding Voitage  
AC 100V/1MINUTE.
  5. 绝缘阻抗: Lnsulation Resistance  
100MEGA Ohms Min
- 物理性能: Mechanical
1. 插拔力: Cnector Mate and Unmate Force  
Insertion force: 3.57kgf(MAX)  
Extraction force: 1.02kgf(Min). 0.81~2.05kgf(Min).
- 端子保持力: Terminal Retenion  
0.5kgf(MIN)

◎	Terminal		2	Phosphor copper	Ag Plating
◎	Shee		1	SPCC	Ni Plating
◎	Base		1	LCP	Black
NO.	Name	Number	Qty	Materil	Remarks

**YUANDI®** Yuandi Electronics Co, Ltd  
元迪

design	date	name	USB CONNECTOR
Review	date	model	MICRO-30-T1
Approved	date		

Drawing number: Proportion 1:1 unit mm gage number A4

									angle	±2'
									10~30	±0.30
									5~10	±0.20
									~ 5	±0.10
								modify	Review	Approved
									Tolerance not specified	Proportion