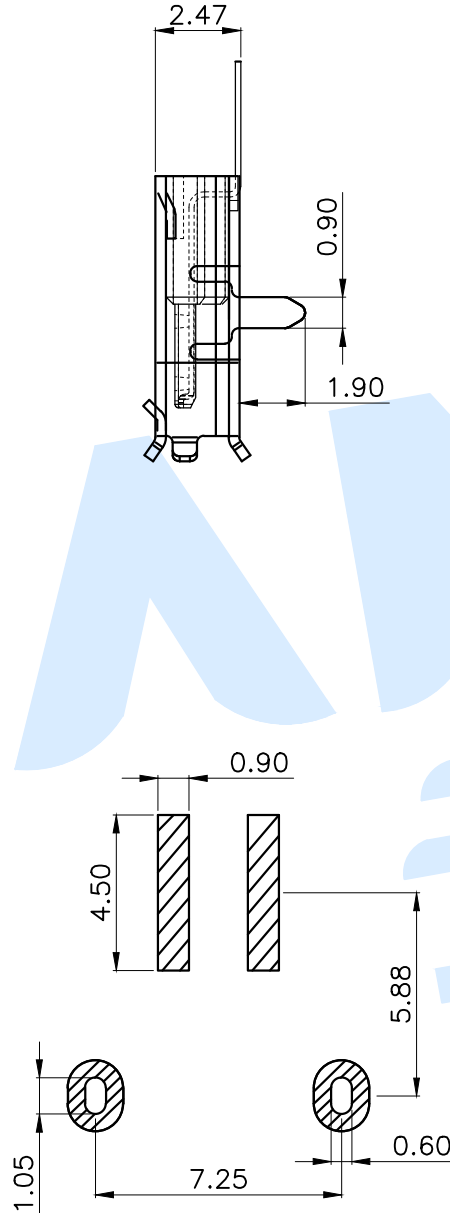
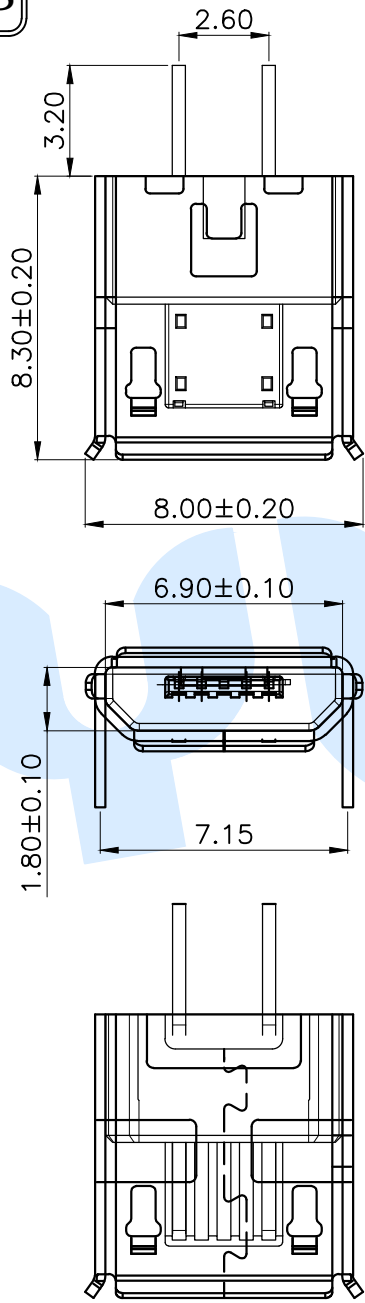


RoHS



Recommended P.C.B Layout

规格说明: Specifications

电气特性: Electrical

1. 额定电流: Current Rating
1.0A/contact terminal
 2. 额定电压: Voltage Rating
30V DC
 3. 接触阻抗: Contact Resistance
50 milliohms Max
 4. 耐电压: Dielectric Withstanding Voltage
AC 100V/1MINUTE.
 5. 绝缘阻抗: Insulation Resistance
100MEGA Ohms Min
- 物理性能: Mechanical
1. 插拔力: Connector Mate and Unmate Force
Insertion force: 3.57kgf(MAX)
Extraction force: 1.02kgf(Min). 0.81~2.05kgf(Min).
- 端子保持力: Terminal Retention
0.5kgf(MIN)

◎	Terminal		2	Brass	Au Plating
◎	Shee		1	SPCC	Ni Plating
◎	Base		1	LCP	Black
NO.	Name	Number	Qty	Materil	Remarks

YUANDI® Yuandi Electronics Co, Ltd
元迪

design	date	name	USB CONNECTOR
Review	date	model	MICRO-32-T1
Approved	date		

modify	Review	Approved	Tolerance not specified	Proportion	1:1	unit	mm	gaga number	A4
--------	--------	----------	-------------------------	------------	-----	------	----	-------------	----

angle	±2'
10~30	±0.30
5~10	±0.20
~ 5	±0.10