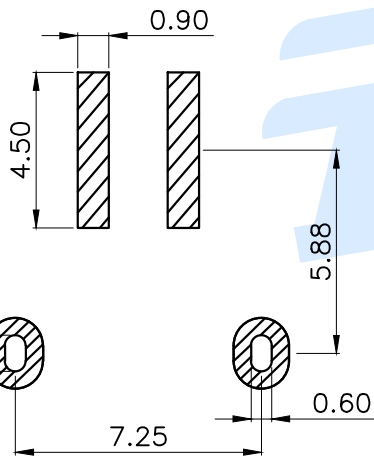
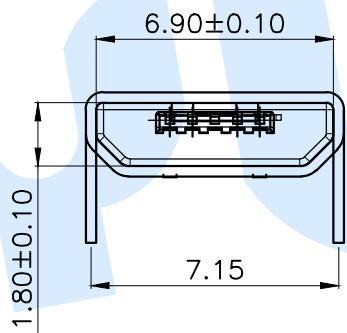
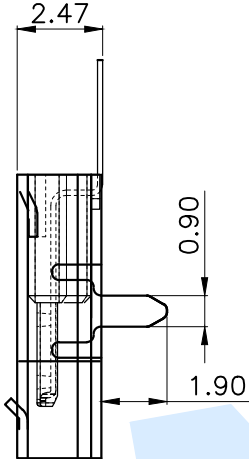
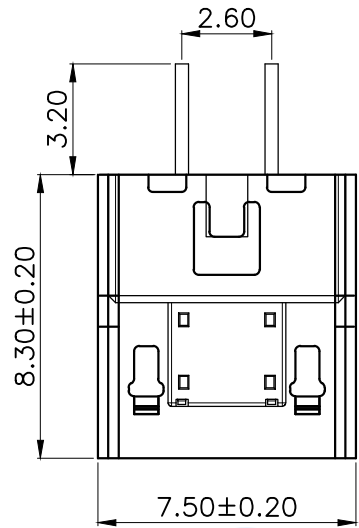


RoHS



Recommended P.C.B Layout

规格说明:Specifications

电气特性:Electrical

- 1.额定电流:Current Rating
1.0A/contact terminal
 - 2.额定电压:Voltage Rating
30V DC
 - 3.接触阻抗:Contact Resistance
50 milliohms Max
 - 4.耐电压:Dielectric Withstanding Voitage
AC 100V/1MINUTE.
 - 5.绝缘阻抗:Insulation Resistance
100MEGA Ohms Min
- 物理性能:Mechanical
- 1.插拔力:Connector Mate and Unmate Force
Insertion force:3.57kgf(MAX)
Extraction force:1.02kgf(Min).0.81~2.05kgf(Min).
- 端子保持力:Terminal Retenion
0.5kgf(MIN)

◎	Terminal		2	Phosphor copper	Ag Plating
◎	Shee		1	SPCC	Ni Plating
◎	Base		1	LCP	Black
NO.	Name	Number	Qty	Materil	Remarks

YUANDI® Yuandi Electronics Co, Ltd

design	date	name	USB CONNECTOR
Review	date	model	
Approved	date	model	
Drawing number:			MICRO-33-T1

angle	±2'
10~30	±0.30
5~10	±0.20
~ 5	±0.10