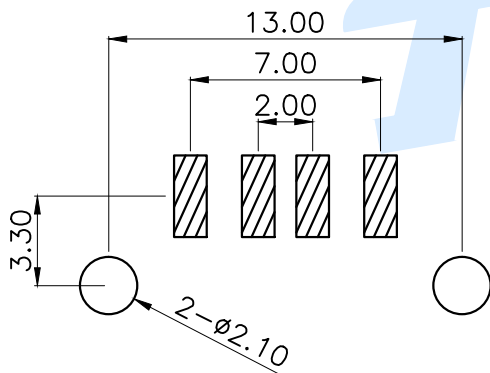
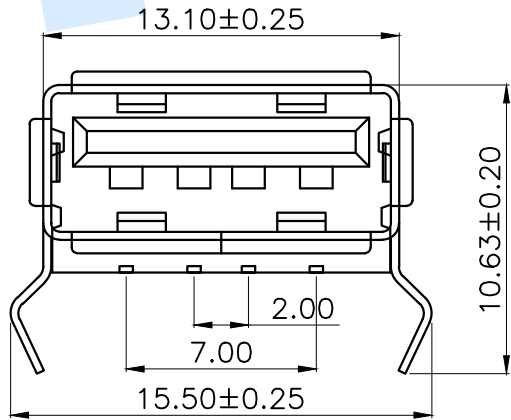
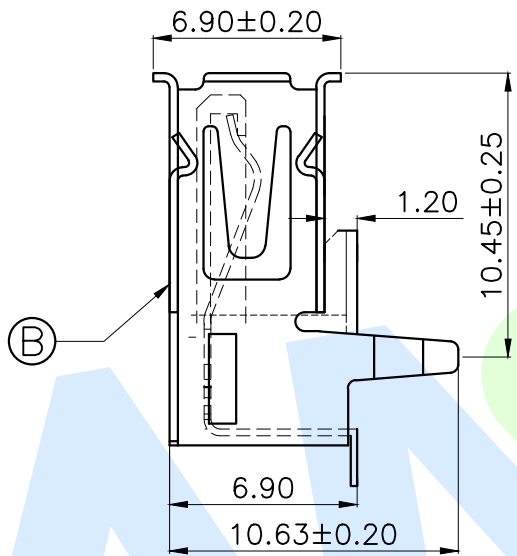
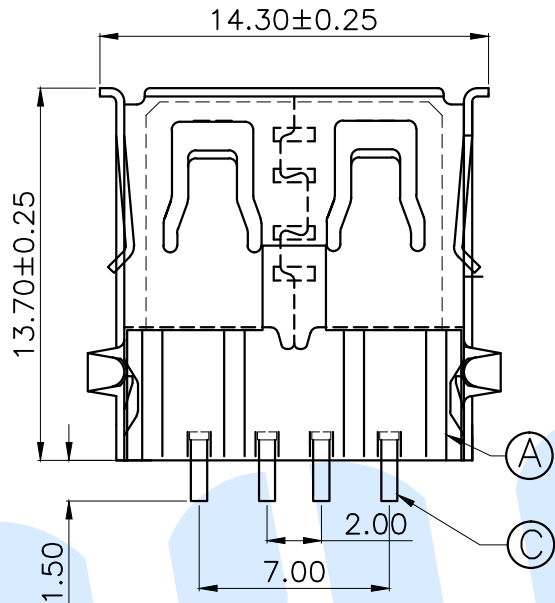


RoHS



P.C.B Layout (Pattern side)

规格说明: Specifications

电气特性: Electrical

1. 额定电流: Current Rating  
1.5A/contact terminal
2. 额定电压: Voltage Rating  
30V DC
3. 接触阻抗: Contact Resistance  
50 milliohms Max
4. 耐电压: Dielectric Withstanding Voltage  
AC 500V/1MINUTE.
5. 绝缘阻抗: Insulation Resistance  
1000MEGA Ohms Min

物理性能: Mechanical

1. 插拔力: Connector Mate and Unmate Force  
Insertion force: 35N(3.57kgf) MAX  
Extraction force: 10-35N(1.02-3.57kgf) Min
- 端子保持力: Terminal Retention  
1.0kgf (MIN)
- 耐久性: Durability  
5000cycles. EXTRACTLON FORCE:  
10-35N(1.02-3.57kgf)

| ◎   | Terminal |        | 4   | Brass   | Silvering  |
|-----|----------|--------|-----|---------|------------|
| ◎   | Shell    |        | 1   | SPCC    | Ni Plating |
| ◎   | Base     |        | 1   | LCP     | White      |
| NO. | Name     | Number | Qty | Materil | Remarks    |

**YUANDI®** Yuandi Electronics Co, Ltd  
元典

|          |      |       |                 |
|----------|------|-------|-----------------|
| design   | date | name  | USB CONNECTOR   |
| Review   | date | model | USB90-01S-T1-W1 |
| Approved | date |       |                 |

Drawing number: Proportion 1:1 unit mm gage number A4

modify Review Approved Tolerance not specified

|       |       |
|-------|-------|
| angle | ±2'   |
| 10~30 | ±0.30 |
| 5~10  | ±0.20 |
| ~ 5   | ±0.10 |