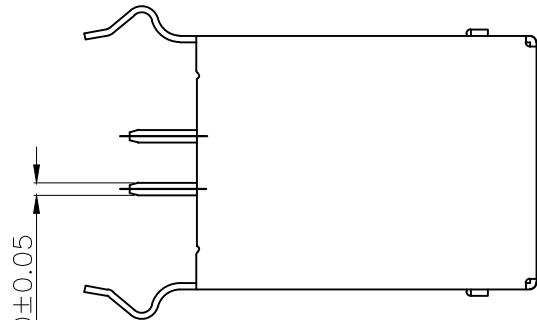
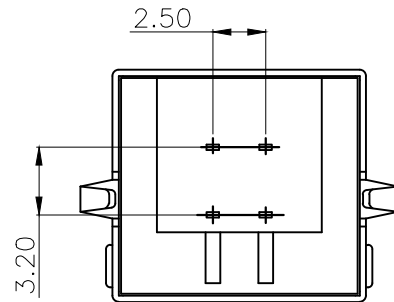


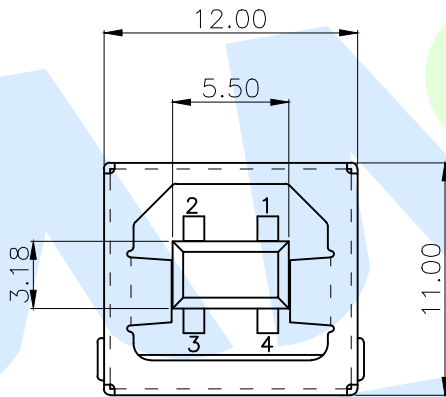
RoHS



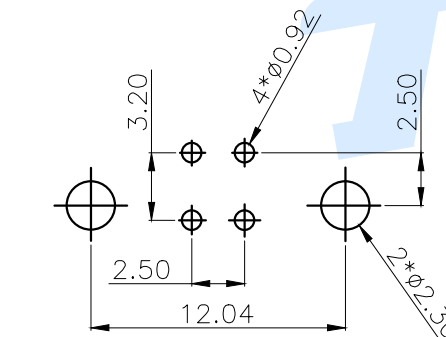
0.60±0.05



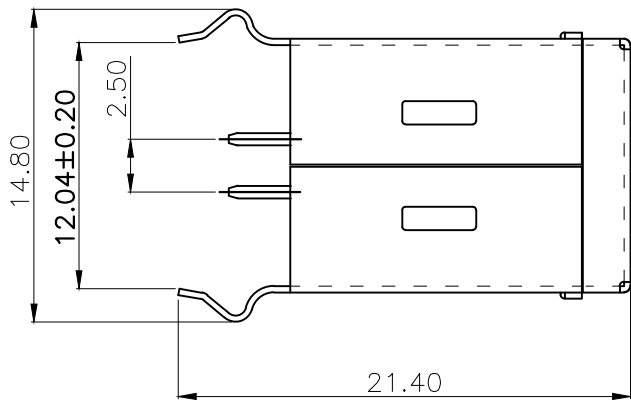
3.20



3.18



P.C.B Layout(Pattern side)



14.80

12.04±0.20

2.50

21.40

规格说明:Specifications

电气特性:Electrical

- 1.额定电流:Current Rating  
1.5A/contact terminal
- 2.额定电压:Voltage Rating  
30V DC
- 3.接触阻抗>Contact Resistance  
50 milliohms Max
- 4.耐电压:Dielectric Withstanding Voltage  
AC 500V/1MINUTE.
- 5.绝缘阻抗:Insulation Resistance  
1000MEGA Ohms Min

物理性能:Mechanical

- 1.插拔力:Connector Mate and Unmate Force  
Insertion force:35N(3.57kgf)MAX  
Extraction force:10-35N(1.02-3.57kgf)Min
- 端子保持力:Terminal Retention  
1.0kgf(MIN)
- 耐久性:Durability  
3000cycles.EXTRACTLON FORCE:  
10-35N(1.02-3.57kgf)

◎	Terminal		4	Brass	Ag Plating
◎	Shell		1	SPCC	Ni Plating
◎	Base		1	PBT	White
NO.	Name	Number	Qty	Materil	Remarks

**YUANDI®** Yuandi Electronics Co, Ltd

design	date	name	USB CONNECTOR
Review	date	model	USB180-30-T1-W
Approved	date		

Drawing number: Proportion 1:1 unit mm gage number A4

modify Review Approved Tolerance not specified

angle ±2' 10~30 ±0.30 5~10 ±0.20 ~ 5 ±0.10